

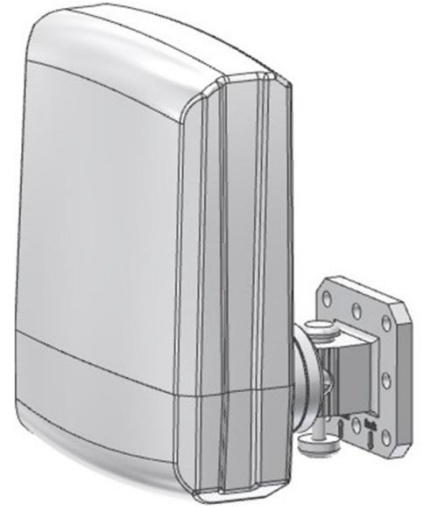
# SPEED-WL Patch Antenna

829~884 MHz / 1710~1860MHz / 1930~2150MHz / 5dBi / 7dBi / 8dBi

CPI-CPB-057

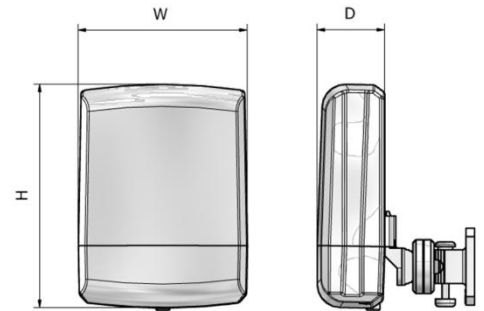
## i. Electrical Specification

Frequency Range	829~884 / 1710~1860 / 1930~2150 MHz		
Polarization	Vertical		
Band Width	55 MHz	150MHz	220MHz
Gain	≥ 5dBi	≥ 7dBi	≥ 8dBi
Beam width	Horizontal	≥ 85°	≥ 60°
	Vertical	≥ 70°	≥ 60°
F-B ratio (Horizontal & Vertical)	≥ 7dB	≥ 10dB	≥ 13dB
VSWR	1 : 1.5		
Impedance	50 Ω		
Maximum input power	1 W		

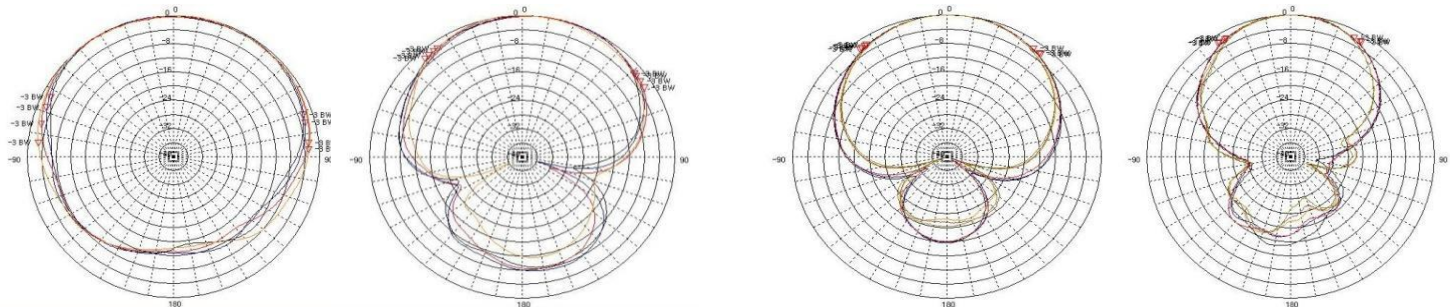


## ii. Mechanical Specification

Radom Dimension ( H x W x D )	145 x 111 x 45mm
Weight ( Include bracket )	≤ 0.5 Kg
Connector Type	SMA-Female
Withstand Wind Pressure	30 m/sec
Radome Material	ASA
Radome Color	PANTONE 421C
Mechanical Down Tilt	Up, Down ± 30°
	Left, Right ± 30°
Temperature	-30 °C ~ 70 °C



## iii. Radiation Pattern



Horizontal Pattern

Vertical Pattern

Horizontal Pattern

Vertical Pattern

Low Band

High Band